

Cockpit Lite

Cat. No. CPL



The Cockpit Lite, designed for marine applications, is used with a 5 watt bi-pin lamp and has a frosted glass lens to create a glow in the cockpit at night. The PVC mounting canister is fully enclosed with a cable gland which clamps the cable to maintain IP66 rating. If the cockpit fills with water the canister will not compromise the cockpits waterproof integrity.

Ordering Information

Luminaire Type

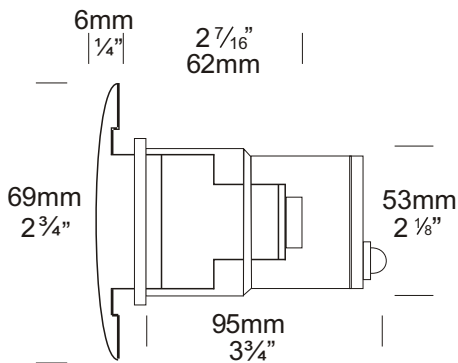
CPL - Cockpit Lite

Material

SS - 316 Stainless Steel

Accessories

CJK150 - Cable Joint Kit
 LENSEURC - Clear Lens
 For an alternative LED option start at page 10.4



Ordering Example: CPL - Cockpit Lite in 316 Stainless Steel.

CJK150 - Cable Joint Kit
 (Accessories ordered separately)

HUNZA™ PURE OUTDOOR LIGHTING

HUNZA FACTORY
 130 Felton Mathew Ave
 Glen Innes
 Auckland 1072
 New Zealand

Ph: 64-9-528 9471
 Fax: 64-9-528 9361
hunza@hunza.co.nz
www.hunza.co.nz

INTERNATIONAL CONTACTS:
www.hunza.co.nz/contacts.php

Specifications may change without notice.
 Manufactured in New Zealand.

© 2009 Hunza Holdings Ltd.

Ver 1.4

Luminaire Construction

CNC machined from:

Body:

316 Stainless Steel: 45mm (1¾") rod.

Flange:

70mm (3½") solid 316 Stainless Steel rod.

Canister:

Engineering grade PVC with nylon cable gland.

Mounting

The Cockpit Lite is fixed in place using the locking ring on the canister. It will mount into material up to 12mm thick. There are no mounting screws in the flange to spoil the luminaire aesthetics.

Features

Lens:

6mm (¼") frosted flush fit tempered shatter resistant glass.

Life Time Warranty.

Gaskets:

Silicone, iron impregnated 220°C (428°F).

Lamp Holder:

G4 - 350°C (662°F) ceramic multi contact lamp holder with 250°C (480°F) teflon cables.

Accessories:

Cable Joint Kit (Cat. CJK150)
Not approved for USA/Canada.
Clear Lens (Cat. LENSEURC).

Standards

IP66

Luminaire Weight

SS .420kg (15oz)

Power Supply

HUNZA™ 20 watt inground transformer.

Luminaire: supplied with

Halogen

G4 Bi-Pin lamp 5 watt max.

LED - Refer sheet no. 10.4

HUNZA™ PURE
OUTDOOR
LIGHTING

HUNZA FACTORY
130 Felton Mathew Ave
Glen Innes
Auckland 1072
New Zealand

Ph: 64-9-528 9471
Fax: 64-9-528 9361
hunza@hunza.co.nz
www.hunza.co.nz

INTERNATIONAL CONTACTS:
www.hunza.co.nz/contacts.php

Specifications may change without notice.
Manufactured in New Zealand.

© 2009 Hunza Holdings Ltd.

Ver 1.4