

Cabin Lite

Cat. No. CL



The Cabin Lite has been designed to be installed in large marine craft such as yachts or launches. It has an anodised canister for corrosion protection and is open at the top to allow heat to escape and is designed for interior use on a boat or ship. There are no mounting screws in the flange to spoil the aesthetics of this luminaire, it is available in 316 stainless steel.

Ordering Information

Luminaire Type

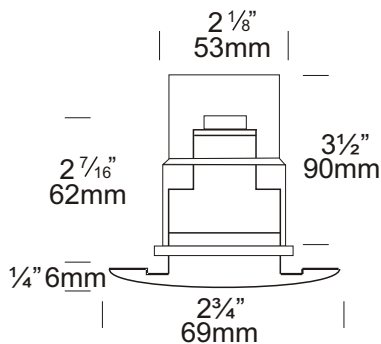
Material

Accessories

CL - Cabin Lite

SS - 316 Stainless Steel

CJK150 - Cable Joint Kit
LENSEURF - Frost Lens
For an alternative LED
option start at page 10.4



Ordering Example: CL - Cabin Lite in 316 Stainless Steel.

(Accessories ordered separately)



HUNZA™ PURE
OUTDOOR
LIGHTING

HUNZA FACTORY
130 Felton Mathew Ave
Glen Innes
Auckland 1072
New Zealand

Ph: 64-9-528 9471
Fax: 64-9-528 9361
hunza@hunza.co.nz
www.hunza.co.nz

INTERNATIONAL CONTACTS:
www.hunza.co.nz/contacts.php

Specifications may change without notice.
Manufactured in New Zealand.

© 2009 Hunza Holdings Ltd.

Ver 1.4

Luminaire Construction

CNC machined from:

Body:

316 Stainless Steel: 45mm (1¾") rod.

Flange:

70mm (3½") solid 316 Stainless Steel rod.

Canister:

Open ended anodised aluminium canister for heat dispersion.

Mounting

The Cabin Lite is fixed in place using the locking ring on the canister. It will mount into material up to 15mm thick. There are no mounting screws in the flange to spoil the luminaire aesthetics.

Features

Lens:

6mm (¼") thick clear flush fit shatter resistant glass.
Life Time Warranty.

Gaskets:

Silicone, iron impregnated 220°C (428°F).

Lamp Holder:

G4 - 350°C (662°F) ceramic multi contact lamp holder with 250°C (480°F) teflon cables.

Accessories:

Cable Joint Kit (Cat. CJK150)
Not approved for USA /Canada.
Frosted Lens (Cat. LENSEURF).

Standards

IP66

Luminaire Weight

SS .415kg (14oz)

Power Supply

Hunza™ 20 watt inground transformer

Luminaire: supplied with

G4 Bi-Pin 20 watt lamp max.

LED - Refer sheet no. 10.4

USA and Canada:

G4 Bi-Pin 10 watt lamp max.

LED - Refer sheet no. 10.4