

Step Lite

Low Lux

Cat. No. SLLX

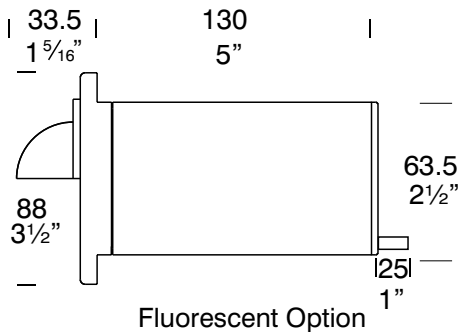
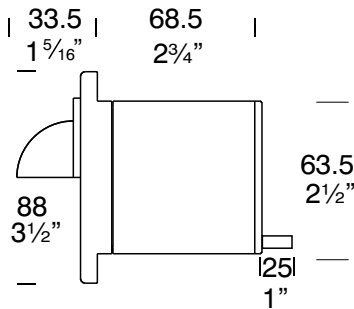
Cat. No. SLLXfl



Eyelid Step Lite eliminates all upward light. When using stairs there is no blinding glare or sparkle from the lamp to irritate the eyes. The eyelid is secured to the flange by stainless two cap screws. When a canister is used there are no mounting holes in the flange.

A 110 / 240 volt fluorescent option is available which offers excellent light output, low energy usage and very low heat generation, this changes the luminaire to an IP66 rating.

This luminaire is equipped with Hunza's Anti-Syphon™ system which has been designed to counter the problem of wicking (siphoning) of water through the supply cable into the lamp housing, causing water to condense and dramatically shorten the life of the lamp, lamp holder and luminaire.



Ordering Information

Luminaire Type	Material/Finish	Accessories
SLLX - Step Lite Low Lux	BK - Black BZ - Bronze GN - Green WH - White MS - Metallic Silver COP - Copper	CJK150 - Cable Joint Kit DFL - Frosted Lens FL - Fluorescent Option Canss - 316 Stainless Steel Canister Flucan - Fluorescent Canister PVC Scan - Step Lite Canister
Ordering Example	SLLX GN - Step Lite Low Lux in Green SLLXfl COP - Step Lite Low Lux in Copper with Fluorescent Option	CJK150 - Cable Joint Kit
		(Accessories ordered separately)



Patent Pending



FACTORY: Ph: 64-9-528 9471 Fax: 64-9-528 9361.
USA: Ph. 310 560 7310 Fax. 1 877 692 4589.
 hunza@hunza.co.nz www.hunza.co.nz
 Specifications may change without notice.

130 Felton Mathew Ave, Glen Innes, Auckland, New Zealand.
 3237 Long Island St, W. Sacramento, California 95691, USA.
 Manufactured in New Zealand.

Ver 1.3

© 2006 Hunza Holdings Ltd

Luminaire Construction

CNC machined from one of the following metals:

High corrosion resistant 63.5mm (2½") x 10mm (25/64") aluminium.
End cap - solid aluminium 63.5mm (2½") rod, flange 90mm (3½") solid aluminium rod with chromate substrate and high UV resistant polyester powder coat -

Colours Black, Bronze, Green, Metallic Silver, White.

Copper: 63.5mm (2½") x 10mm (13/32"). End cap - solid copper 63.5mm (2½") rod.

Flange 90mm (3½") solid copper rod.

Mounting

Designed to fit through a 66mm (2 5/8") hole and be fixed into position by two screws in the flange or a Step Lite canister (see accessories) can be used which maintains the aesthetic look of the flange by eliminating the two screw holes in the flange.

Features

Cable:

Water resistant rubber and PVC with HUNZA® Anti-Syphon™ water barrier system.

Lens:

3mm (1/8") thick clear tempered shatter resistant glass.

Life Time Warranty.

Gaskets:

Silicone, iron impregnated 220°C (428°F).

Lamp Holder:

GU5.3 - 350°C (662°F) ceramic multi contact lamp holder with 250°C (480°F) teflon cables.

Fluorescent

E27 PET 210° (410°F) base mount.

Accessories:

Cable Joint Kit (Cat. CJK 50)
Not approved for USA /Canada.

Fluorescent Option 5 watt 240 volt (Cat. FL) IP66.

Fluorescent Canister, PVC (Cat. Flucan).

Frosted Lens (Cat. DFL).

Step Canister (Cat. Slcan).

316 Stainless Canister for use in lime stone etc. (Cat. Canss).

Standards

EN60598

IP66 / IP68



UL1838

Luminaire Weight

Alum .560kg (1lb 3oz)
Cop 1.430kg (3lb 2oz)

Fluorescent IP66

Alum .875kg (1lb 11oz)
Cop 2.375kg (5lb)

Power Supply

HUNZA® Inground or Wall Mount
Transformer: not included.

USA and Canada:

HUNZA® Wall Mount Transformer:
not included.

Luminaire: supplied with

Halogen

MR16 GU5.3 20 watt lamp max.

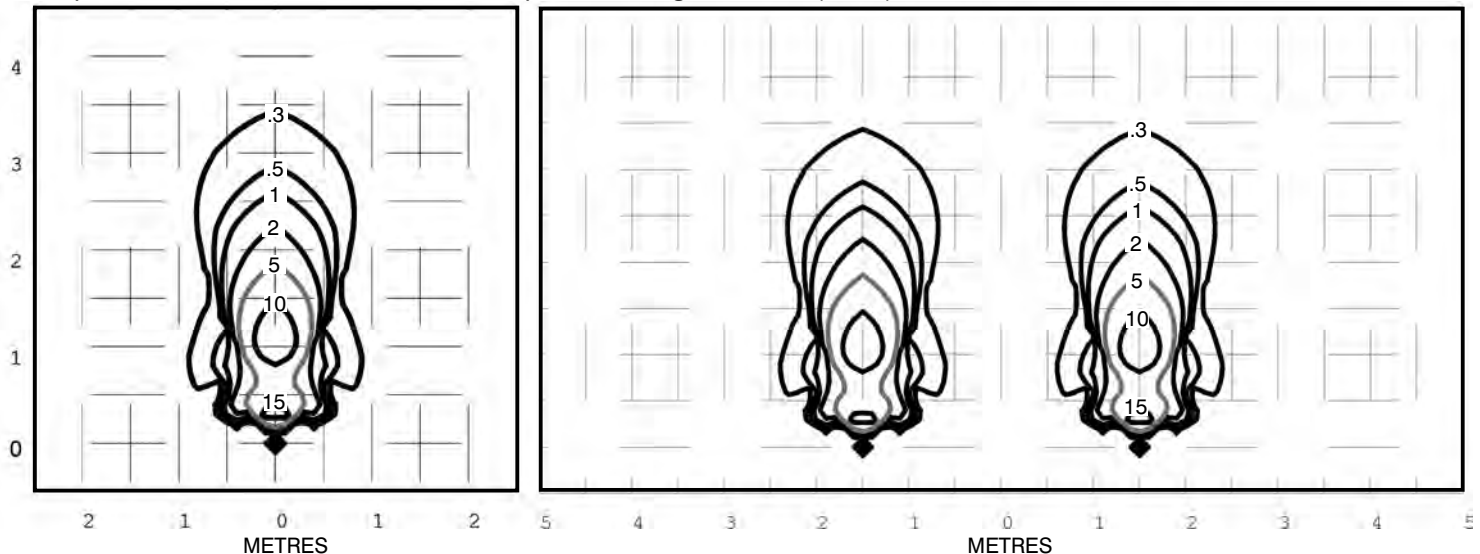
Fluorescent

E27 - 110/240 volt self ballasted
lamp.

USA and Canada:

MR16 GU5.3 20 watt lamp max.

Step Lite Low Lux MR16 BAB 20 watt lamp - Lens height 400mm (15¾")



Isolux Lumens Plot - Footcandles = Isolux figures divided by 10.76



FACTORY: Ph: 64-9-528 9471 Fax: 64-9-528 9361.

USA: Ph. 310 560 7310 Fax. 1 877 692 4589.

hunza@hunza.co.nz www.hunza.co.nz

Specifications may change without notice.

130 Felton Mathew Ave, Glen Innes, Auckland, New Zealand.

3237 Long Island St, W. Sacramento, California 95691, USA.

Manufactured in New Zealand.

Ver 1.3

© 2006 Hunza Holdings Ltd