

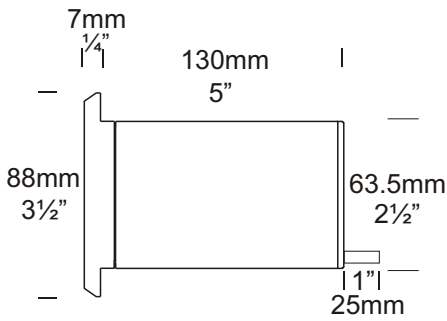
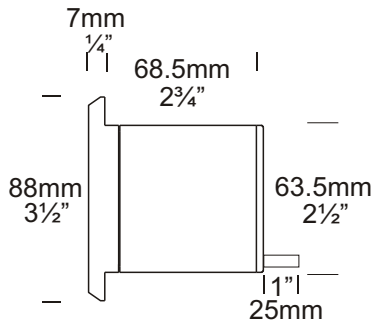
Step Lite Louvre Square

Cat. No. SLLUsq
Cat. No. SLLUflsq



The Step Lite Louvre Square has an 88mm (3½") square flange with a flush surface look with no protrusions. The 45 degree louvre eliminates all upward light making this luminaire ideal for illumination of steps and low level features such as exterior paved areas.

A 110/240 volt fluorescent option is available which offers excellent light output, low energy usage and very low heat generation, this changes the luminaire to an IP66 rating.



Fluorescent Option



Ordering Information

Luminaire Type

SLLUsq - Step Lite
Louvre Square

Material

COP - Copper
SS - 316 Stainless Steel

Accessories

CJK150 - Cable Joint Kit
FL - Fluorescent Option
LENSSTEPF - Frosted Lens
Slcan - Step Lite Canister
Flucan - Fluorescent Canister PVC
Canss - 316 Stainless Steel Canister
For an alternative LED
option start at page 10.4

Ordering Example SLLUsq SS - Step Louvre Square in 316
Stainless Steel

SLLUFLsq COP - Step Louvre Square in Copper
with Fluorescent Option

CJK150 - Cable Joint Kit

(Accessories ordered separately)

HUNZA™ PURE
OUTDOOR
LIGHTING

HUNZA FACTORY
130 Felton Mathew Ave
Glen Innes
Auckland 1072
New Zealand

Ph: 64-9-528 9471
Fax: 64-9-528 9361
hunza@hunza.co.nz
www.hunza.co.nz

INTERNATIONAL CONTACTS:
www.hunza.co.nz/contacts.php

Specifications may change without notice.
Manufactured in New Zealand.
© 2009 Hunza Holdings Ltd.

Ver 1.4

Luminaire Construction

CNC machined from one of the following metals:

Copper: 63.5mm (2½") x 10.5mm (13/32"). End cap - solid copper 63.5mm (2½") rod.

Flange 90mm x 90mm (3½" x 3½") bar.

316 Stainless Steel: 9mm (11/32"). End cap - solid 316 stainless steel 63.5mm (2½") rod.

Flange 90mm x 90mm (3½" x 3½") bar.

Mounting

Designed to fit through a 66mm (2 5/8") hole and be fixed into position by two screws in the flange or a Step Lite canister (see accessories) can be used which maintains the aesthetic look of the flange by eliminating the two screw holes in the flange.

Features

Lens:

3mm (1/8") thick clear tempered shatter resistant glass.

Life Time Warranty.

Gaskets:

Silicone, iron impregnated 220°C (428°F).

Lamp Holder:

GU5.3 - 350°C (662°F) ceramic multi contact lamp holder with 250°C (480°F) teflon cables.

Fluorescent:

E27 PET 210°C (410°F) base mount. E26 available in the USA.

Accessories:

Cable Joint Kit (Cat. CJK150)

Not approved for USA /Canada.

Fluorescent Option 8 watt 240 volt (Cat. FL) IP66.

Fluorescent Canister, PVC (Cat. Flucan).

Frosted Lens (Cat. LENSSTEPF). Step Canister (Cat. Sican).

316 Stainless Canister for use in lime stone etc. (Cat. Canss).

Standards

EN60598

IP66/IP68



UL1838

Luminaire Weight

12 volt

Cop 1.350kg (2lb 15oz)

SS 1.040 (2lb 4oz)

Fluorescent IP66

Cop 2.300kg (5lb 1oz)

SS 1.675 (3lb 11oz)

Power Supply

HUNZA™ Inground or Wall Mount Transformer: not included.

USA and Canada:

HUNZA™ Wall Mount Transformer: not included.

Luminaire: supplied with

Halogen

MR16 GU5.3 20watt lamp max.

Fluorescent

E27 - 110/240 volt self ballasted lamp.

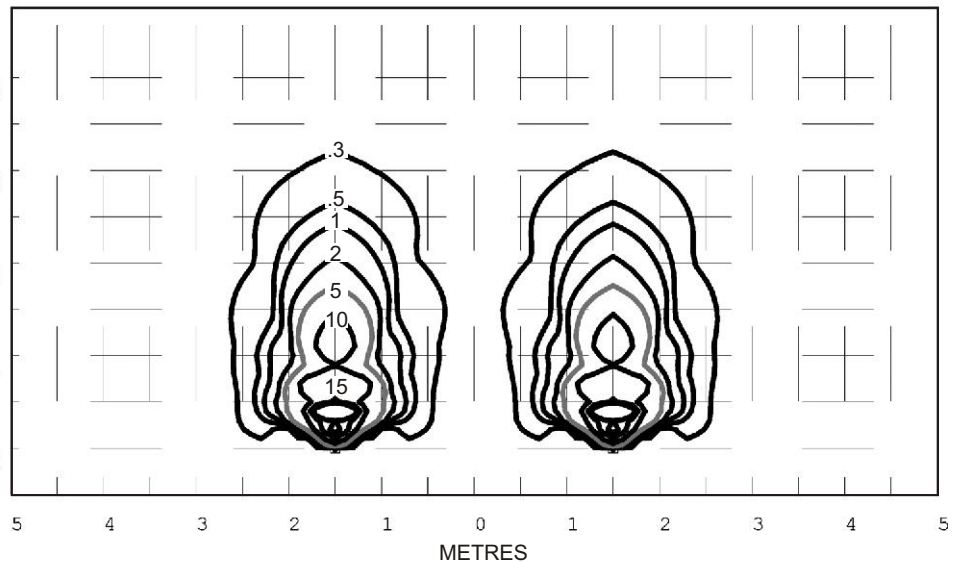
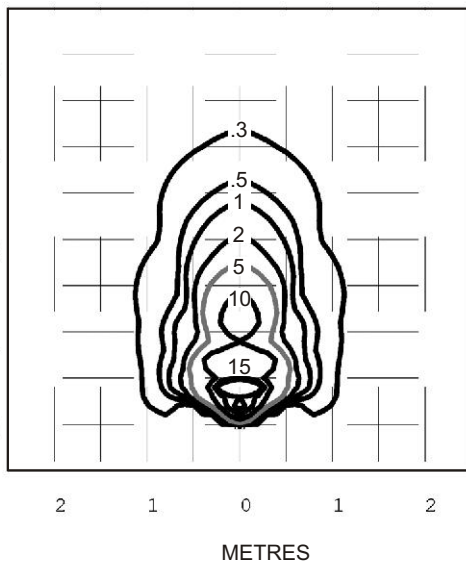
LED - Refer sheet no. 10.4

USA and Canada:

MR16 GU5.3 20 watt lamp max.

LED - Refer sheet no. 10.4

Step Lite Louvre Square Lux MR16 BAB 20 watt lamp - Lens height 400mm (15¾")



Isolux Lumens Plot - Footcandles = Isolux figures divided by 10.76

HUNZA™ PURE
OUTDOOR
LIGHTING

HUNZA FACTORY
130 Felton Mathew Ave
Glen Innes
Auckland 1072
New Zealand

Ph: 64-9-528 9471
Fax: 64-9-528 9361
hunza@hunza.co.nz
www.hunza.co.nz

INTERNATIONAL CONTACTS:
www.hunza.co.nz/contacts.php

Specifications may change without notice.
Manufactured in New Zealand.

© 2009 Hunza Holdings Ltd.

Ver 1.4