

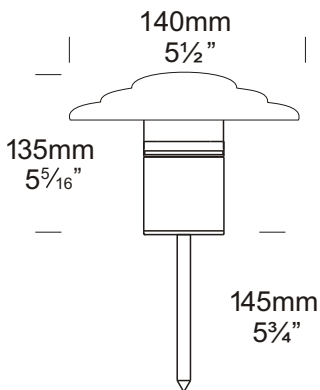
# Fern Lite

Cat. No. FN



Fern Lite is suited to illumination of low level foliage. Light is emitted on a horizontal plane through a UV stable acrylic lens with anti-glare mesh around 360 degrees. The luminaire uses a 5, 10 or 20 watt halogen bi-pin lamp and does not project any vertical light due to the anti-glare hood.

This luminaire is machined from a choice of 10mm thick aluminium with a UV stable powder coated finish or solid copper.



## Ordering Information

Luminaire Type	Material/Finish	Accessories
FN - Fern Lite	BK - Black BZ - Bronze GN - Green STAR - Silver Star COP - Copper	CJK150 - Cable Joint Kit /300 - Ground Spike 300mm (12") For an alternative LED option start at page 10.4
Ordering Example: FN COP - Fern Lite in Copper FN/300 BK - Fern Lite in Black with 300mm (12") Ground Spike CJK150 - Cable Joint Kit (Accessories ordered separately)		

## Luminaire Construction

**Body:** high corrosion resistant 63.5mm (2½") x 10mm (25/64") aluminium.

**End cap:** Solid aluminium 63.5mm (2½") rod.

**Spike:** 11.11mm (7/16") aluminium rod.

**Hood:** 140mm (5½") x 1.2mm (1/16") hand spun aluminium.

With cromate substrate and high UV resistant polyester powder coat

**Colours:** Black, Bronze, Green, Silver Star.

**Copper:**  
Body 63.5mm (2½") x 10mm (13/32"). End cap - solid copper 63.5mm (2½") rod.

**Spike:** 11.11mm (7/16") copper rod.

**Hood:** 140mm (5½") x 1.2mm (1/16") hand spun copper.

## Mounting

Ground spike 150mm (6") or 300mm (12") directly into the earth.

## Features

### Lens:

UV stable Polycarbonate with anti-glare mesh.

### Anti Glare Hood:

Diameter 140mm (5½"). No upward light or glare projected.

### Gasket:

Silicone, iron impregnated 220°C (428°F)

### Lamp Holder:

G4 350°C (662°F) ceramic multi contact lamp holder with 250°C (480°F) teflon cables.

### Accessories:

Cable Joint Kit (Cat. CJK150). Not approved for USA /Canada.

Ground Spike 300mm (12") (Cat. /300).

## Standards

IP66



UL1838

## Luminaire Weight

Alum .60kg (1lb 5oz)

Cop 1.160kg (8lb 3oz)

## Power Supply

HUNZA™ Inground or Wall Mount Transformer: not included.

### USA and Canada:

HUNZA™ Wall Mount Transformer: not included.

## Luminaire: supplied with

G4 Bi Pin lamp 5, 10, 20 watt max.

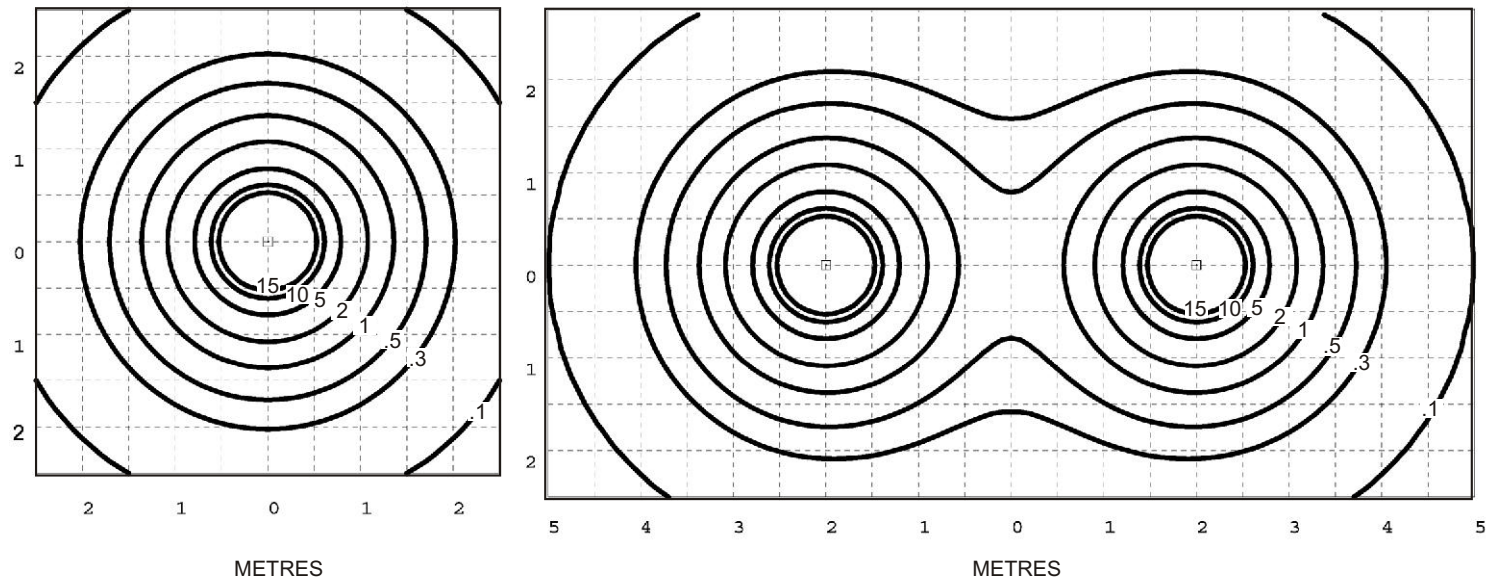
**LED** - Refer sheet no. 10.4

### USA and Canada:

G4 5, 10 watt lamp max.

**LED** - Refer sheet no. 10.4

Fern Lite 20 watt G4 Bi-Pin lamp - Lens height 100mm (4")



Isolux Lumens Plot - Footcandles = Isolux figures divided by 10.76

**HUNZA™** PURE  
OUTDOOR  
LIGHTING

**HUNZA FACTORY**  
130 Felton Mathew Ave  
Glen Innes  
Auckland 1072  
New Zealand

Ph: 64-9-528 9471  
Fax: 64-9-528 9361  
hunza@hunza.co.nz  
www.hunza.co.nz

**INTERNATIONAL CONTACTS:**  
www.hunza.co.nz/contacts.php

Specifications may change without notice.  
Manufactured in New Zealand.

© 2009 Hunza Holdings Ltd.

Ver 1.4