

Deck Lite

Cat. No. DK



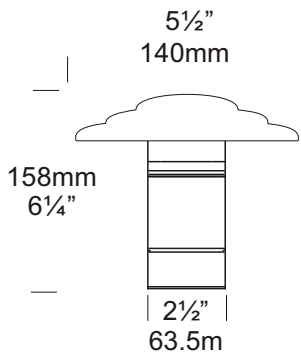
The Deck Lite is designed to be mounted onto flat surfaces e.g. wooden and concrete decks, tiled areas, brick walls, etc. Light is emitted on a horizontal plane through UV stable acrylic lens with antiglare mesh around 360 degrees via a 5, 10 or 20 watt halogen bi-pin lamp, and does not project any vertical light due to the antiglare hood.

This luminaire is machined from a choice of 10mm thick aluminium with a UV stable powder coated finish or solid copper with a clear, tempered, flush glass lens and high temperature silicon gaskets.

Ordering Information

Luminaire Type	Material/Finish	Accessories
DK - Deck Lite	BK - Black BZ - Bronze GN - Green STAR - Silver Star WH - White COP - Copper	CJK150 - Cable Joint Kit For an alternative LED option start at page 10.4

Ordering Example: DK BK - Deck Lite in Black
 CJK150 - Cable Joint Kit
 (Accessories ordered separately)



HUNZA™ PURE OUTDOOR LIGHTING

HUNZA FACTORY
 130 Felton Mathew Ave
 Glen Innes
 Auckland 1072
 New Zealand

Ph: 64-9-528 9471
 Fax: 64-9-528 9361
hunza@hunza.co.nz
www.hunza.co.nz

INTERNATIONAL CONTACTS:
www.hunza.co.nz/contacts.php

Specifications may change without notice.
 Manufactured in New Zealand.

© 2009 Hunza Holdings Ltd.

Ver 1.4

Luminaire Construction

CNC machined from one of the following metals:

High corrosion resistant 63.5mm 2½" x 10mm (25/64") aluminium.
End cap - solid aluminium 63.5mm (2½") rod, with cromate substrate and high UV resistant polyester powder coat

Hood 260mm (10¼") x 1.2mm (1/16") hand spun aluminium or copper.

Colours Black, Bronze, Green, Silver Star, White.

Copper 63.5mm (2½") x 10mm (13/32"). End cap - solid copper 63.5mm (2½") rod.

Mounting

Via internal flange with three bolts to wooden deck or concrete.

Features

Lens:

UV stable Polycarbonate with anti-glare mesh.

Anti Glare Hood:

Diameter 140mm (5½"). No upward light or glare projected.

Gasket:

Silicone, iron impregnated 220°C (428°F).

Lamp Holder:

G4 350°C (662°F) ceramic multi contact lamp holder with 250°C (480°F) teflon cables.

Accessories:

Cable Joint Kit (Cat. CJK150).
Not approved for USA /Canada.

Standards

IP66



UL1838

Luminaire Weight

Alum .600kg (1lb 5oz)
Cop 1.160kg (2lb 3oz)

Power Supply

HUNZA™ Inground or Wall Mount
Transformer: not included.

USA and Canada:

HUNZA™ Wall Mount Transformer:
not included.

Lamp Type

G4 Bi-Pin 5, 10, 20 watt lamp
max.

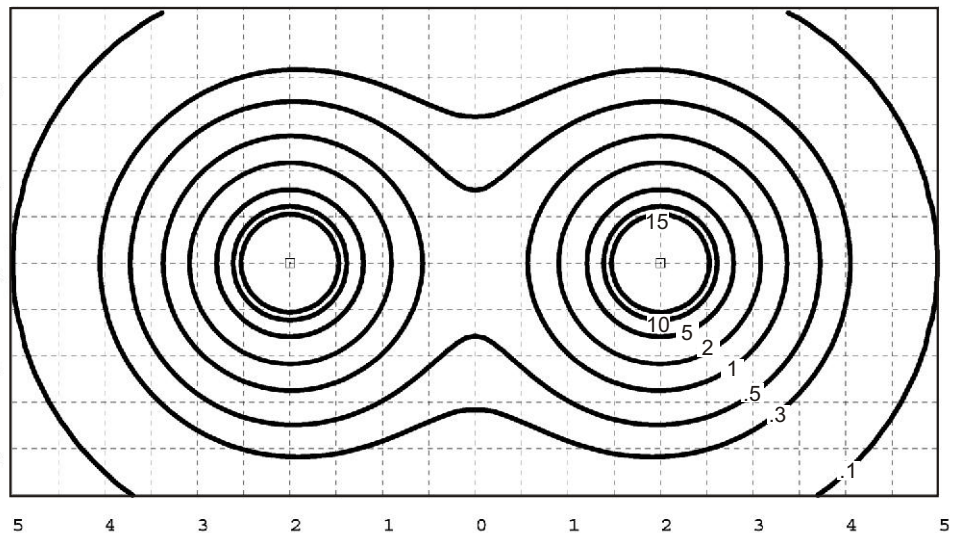
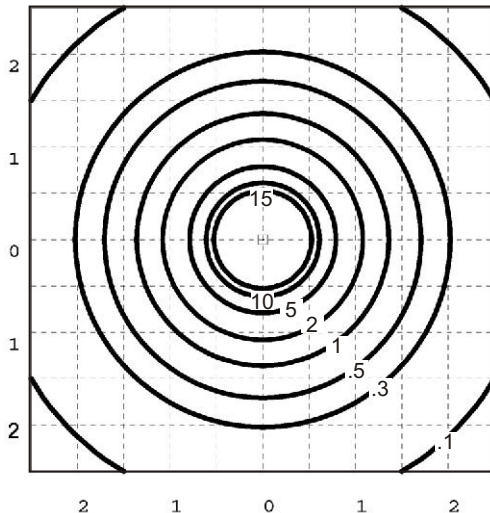
LED - Refer sheet no. 10.4

USA and Canada:

G4 Bi-Pin 5, 10, 20 watt lamp
max.

LED - Refer sheet no. 10.4

Deck Lite 20 watt G4 Bi-Pin lamp - Lens height 100mm (4")



Isolux Lumens Plot - Footcandles = Isolux figures divided by 10.76

HUNZA™ PURE
OUTDOOR
LIGHTING

HUNZA FACTORY
130 Felton Mathew Ave
Glen Innes
Auckland 1072
New Zealand

Ph: 64-9-528 9471
Fax: 64-9-528 9361
hunza@hunza.co.nz
www.hunza.co.nz

INTERNATIONAL CONTACTS:
www.hunza.co.nz/contacts.php

Specifications may change without notice.
Manufactured in New Zealand.

© 2009 Hunza Holdings Ltd.

Ver 1.4