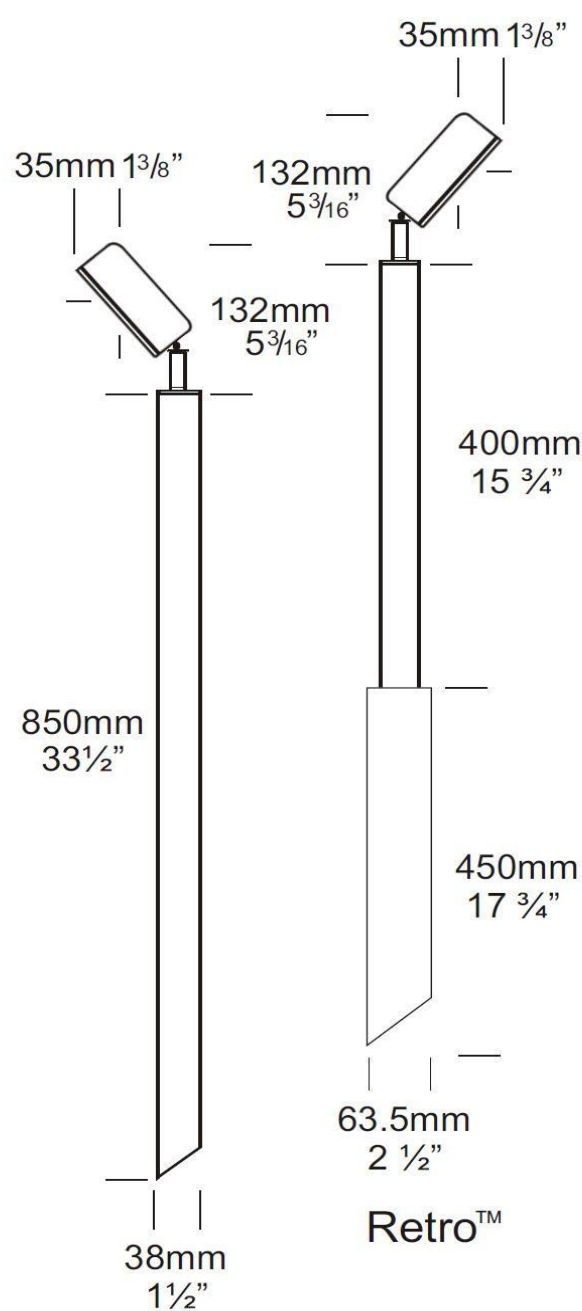


Border Lite

Cat. No. BL
Cat. No. BL/R



UK & European Specification

The Border Lite is ideal for path lighting giving a wide spread of light with no upward projection. This luminaire has a fully adjustable arm allowing 360 degree rotation and 0 - 90 degree elevation.

The Retro™, which is a mains option, avoids the need to bury a transformer. The 110/240-12 volt electronic transformer is built into the pole and is a double insulated safety isolating transformer this changes the luminaire to an IP56 rating.

This luminaire is equipped with Hunza's Anti-Syphon™ (not Retro luminaires) system which has been designed to counter the problem of wicking (siphoning) of water through the supply cable into the lamp housing, causing water to condense and dramatically shorten the life of the lamp, lamp holder and luminaire.

Ordering Information

Luminaire	Material/Finish	Accessories
BL - Border Lite	BK - Black	CJK - Cable Joint Kit
BL/R - Retro	BZ - Bronze	LENSBLC - Clear Lens
	GN - Green	
	STAR - Silver Star	
	WH - White	
	SBZ - Solid Bronze	
	SS - 316 Stainless	

Example: **BL BK**

(Accessories ordered separately)

Luminaire Construction

Head:

Cast from either 316 Stainless Steel, LG2 Bronze or virgin high corrosion resistant CC401 low copper aluminium alloy, with chromate substrate and high UV resistant polyester powder coat

Colours: Black, Bronze, Green, Silver Star, White.

Poles:

Stainless Steel 38mm (1½") x 850mm Aluminium, Copper, 316 (33½") tube.

Retro™: Pole - 38mm (1½") x 410mm (16") tube.

Transformer Pole: 63.5mm (2½") x 440mm (17½").

Mounting

Pole 850mm (33½") directly mounted into the earth.

Features

Cable:

Water resistant rubber with HUNZA™ Anti-Syphon™ water barrier system.

Lens:

3mm Frosted tempered shatter resistant glass with a Lifetime warranty.

Gaskets:

Nytril rubber, 150°C (302°F).

Lamp Holder:

G4 - 350°C (662°F) ceramic multi contact lamp holder with 250°C (480°F) teflon cables.

Accessories:

Cable Joint Kit (Cat. CJK 150).

Clear Lens (Cat. LENSBLC).

Retro™ transformer 110/240-12 volt (Cat. /R) IP56.

Note: The Hunza Super Spike is not compatible with the 38mm pole.

Swivel:

360° rotation and 0 - 90° elevation, solid brass or stainless steel with anti rust spring.

Standards

IP56/IP66

UL1838

Luminaire Weight

12 volt:

Alum .800kg (1lb 8oz)

SS 1.6kg (3lb 8oz)

BRZ 1.7kg (3lb 12oz)

Retro™:

Alum 2.00kg (4lb 6oz)

SS 3.15kg (6lb 15oz)

BRZ 3.4kg (7lb 8oz)

Power Supply

HUNZA™ Inground or Wall Mount

Transformer: not included.

RETRO™ IP56

HUNZA™ 110/240-12 volt ac potted electronic transformer is built into the pole. Dimmable with a suitable leading edge dimmer.

Supplied With

G4 Bi - Pin 20 watt lamp max.

Border Lite G4 20 watt lamp lens height 600mm (24")

