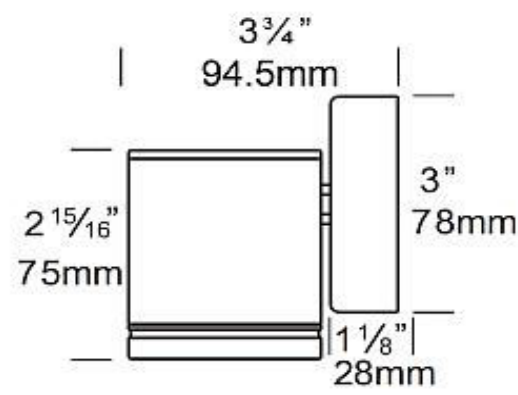
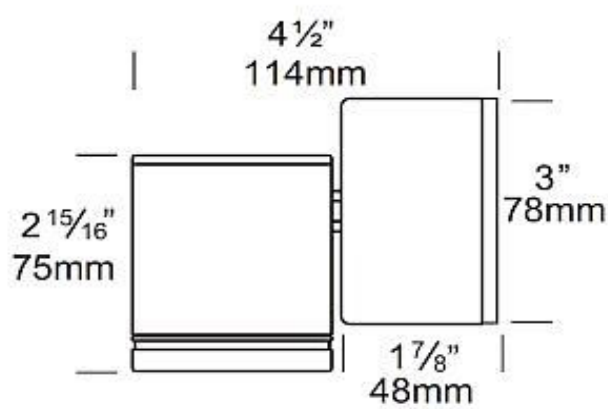


Wall Down Lite

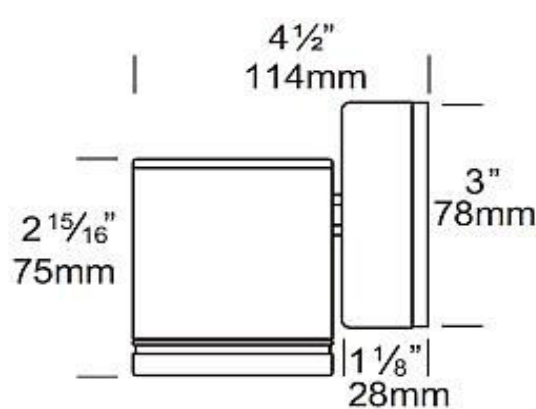
Cat. No. DL
 Cat. No. DL/R
 Cat. No. DL/GU



Low Voltage



Retro™



GU10



UK & European Specification

The Wall Down Lite is suitable for mounting on timber, masonry, stone, etc. non-adjustable for one way wall washing, can be mounted with the lamp directed up or down. Water resistant with a 78mm diameter mounting base, complete with stainless steel screws.

The Retro™ is a 110/240-12 ac mains option suited to an installation where mounting a transformer is a problem, e.g. a brick wall where there is only the cable protruding out of the wall and it is not an option to recess the transformer or when replacing an existing light fitting. The base size increases in size to accommodate the encapsulated IP66 dimmable transformer.

A GU10 version of this luminaire is also available for line voltage lamps. The Wall Down Lite Metal Halide is extremely energy efficient, outputting 2-3 times the light of a halogen lamp, and uses a GX10 20 or 35 watt lamp.

Ordering Information

Luminaire	Material/Finish	Accessories
DL - Wall Down Lite	BK - Black	CJK - Cable joint Kit
DL/R - Retro	BZ - Bronze	LENSSTEPF - Frosted Lens
DL/GU - GU10	GN - Green	GG - Glare Guard
	STAR - Silver Star	HCL - Hex Cell Louvre Adaptor
	WH - White	GU - GU10 Option
	WB - Birch	MH - Metal Halide Option
	DG - Dark Grey	/R - Retro Transformer
	OG - Olive Green	110 /240-12 Volt
	RG - Beige	WBAP - Wall Box Adaptor Plate
	PR - Primrose	
	COP - Copper	
	SS - 316 Stainless Steel	

Example: **DL BK**

(Accessories ordered separately)

Luminaire Construction

CNC machined from the following metals:

Body: High corrosion resistant low copper 63.5mm (2½") x 10mm (25/64") aluminium. End cap - solid aluminium 63.5mm (2½") rod.

Base & Mounting Plate (Retro™): Cast from virgin high corrosion resistant CC401 low copper aluminium alloy chromate substrate and high UV resistant polyester powder coat - Black, Bronze, Green, Silver Star, White, Birch, Dar Grey, Olive, Green, Beige, Primrose.

Body: Copper 63.5mm (2½") x 10mm (25/64). End cap - solid copper 63.5mm (2½") rod.

Base: Copper Hand spun 2mm (5/64")

Mounting Plate: Forged brass (Retro™)

Body: 316 Stainless Steel 63.5mm (2½") x 10mm (25/64) rod. End cap - 316 stainless steel 63.5mm (2½") rod.

Base: Investment cast and CNC machined (Retro™).

Mounting Plate: Investment cast and CNC machined.

Mounting

12 volt: The luminaire is mounted to the wall using two 316 stainless screws through a shallow base 16mm (5/8") in depth. A Wall Box Adaptor Plate is available as an accessory. Retro™ 110/240-12 volt: a mounting plate is fixed to the wall using two screws, the luminaire is fitted to the mounting plate.

Features

Lens:

10mm (3/8") clear flush fit shatter resistant glass.

Lifetime Warranty.

Gaskets:

Silicone, iron impregnated 220°C (428°F)

Lamp Holder:

GU5.3 & GU10 - 350°C (662°F) ceramic multi contact lamp holder with 250°C (480°F) teflon cables.

Metal Halide GX10 - 350°C (662°F) ceramic multi contact lamp holder with 250°C (480°F) teflon cables.

Accessories:

Cable Joint Kit (Cat. CJK150)

Frosted Lens (Cat. LENSSTEPF).

Glare Guard (Cat. GG).

Hex Cell Louvre Adaptor (Cat. HCL).

GU10 Option (Cat. GU).

Metal Halide Option (Cat. MH).

Retro™ transformer 110/240-12 volt (Cat. /R).

Wall Box Adaptor Plate (Cat. WBAP).

Standards

IP66 UL1838

Luminaire Weight

12 volt: Alum .460kg (1lb)

Cop 1.200kg (2lb 10oz)

SS 1.080kg (2lb 6oz)

Retro: Alum .780kg (1lb 11oz)

Cop 1.680kg (3lb 11oz)

SS 1.505kg (3lb 5oz)

Power Supply

HUNZA™ Inground or Wall Mount Transformer: not included.

Metal Halide - 230-240 volt ac 50Hz built in ballast

RETRO™

HUNZA™ 110/240-12 volt ac potted electronic transformer built into the Retro™ base. Dimmable with a suitable dimmer.

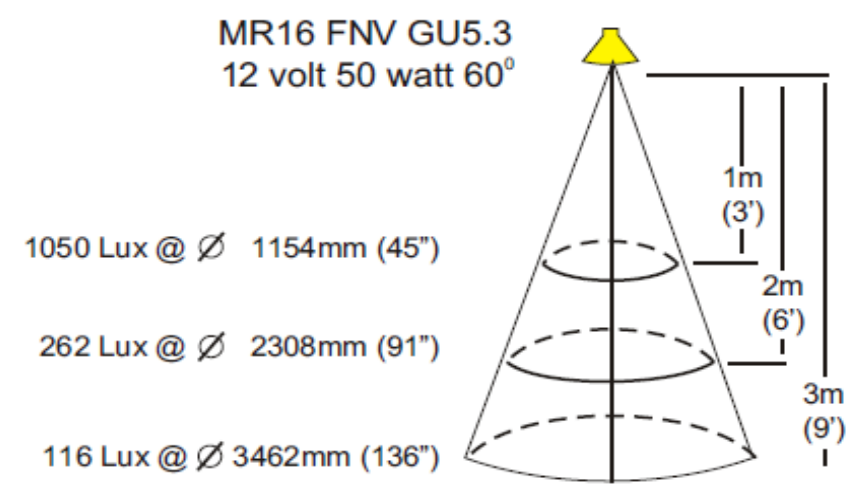
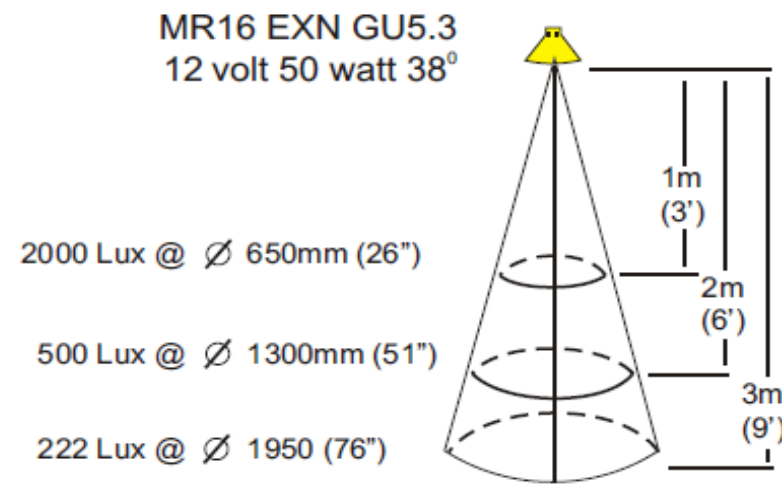
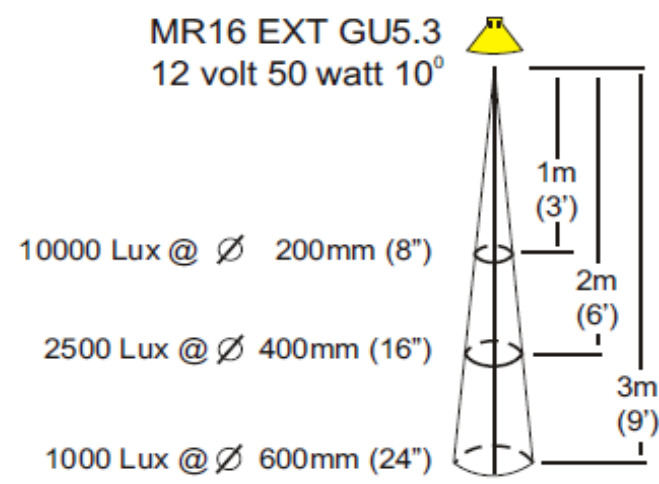
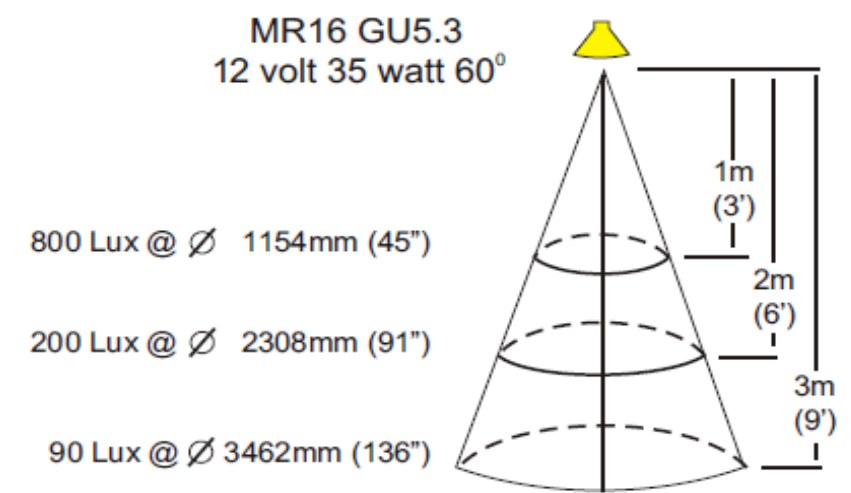
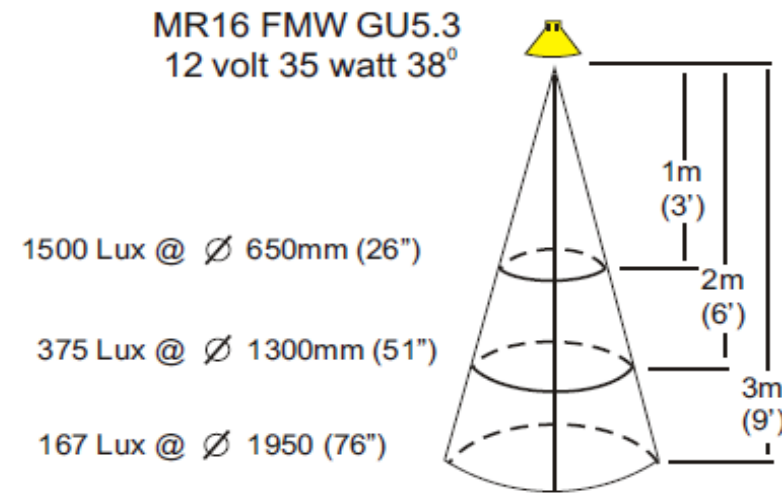
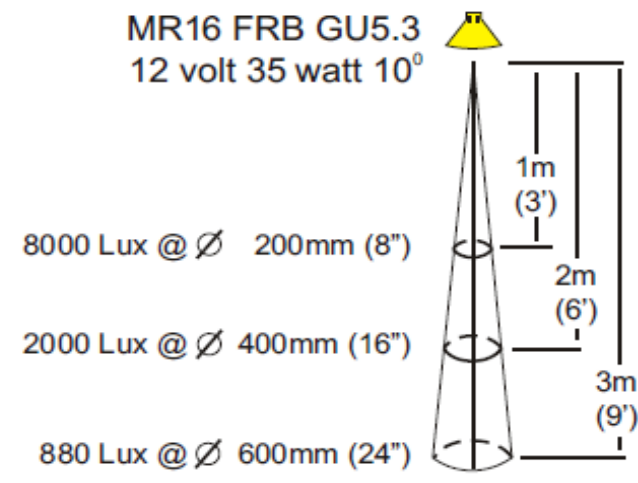
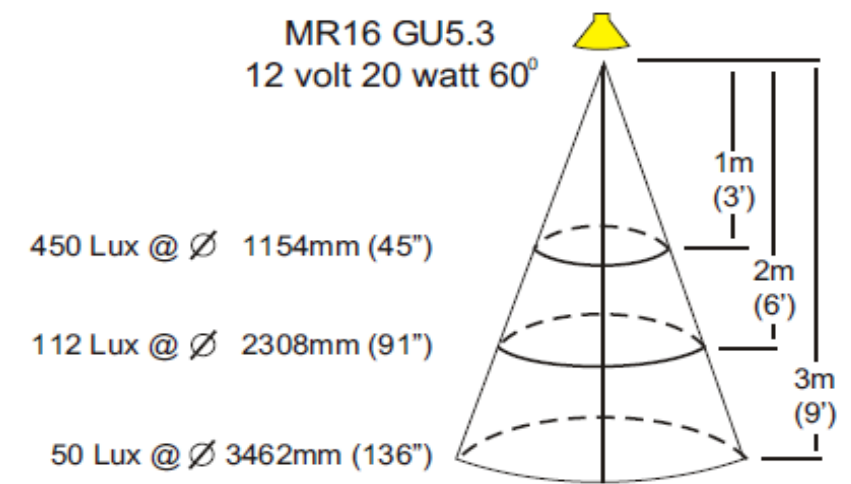
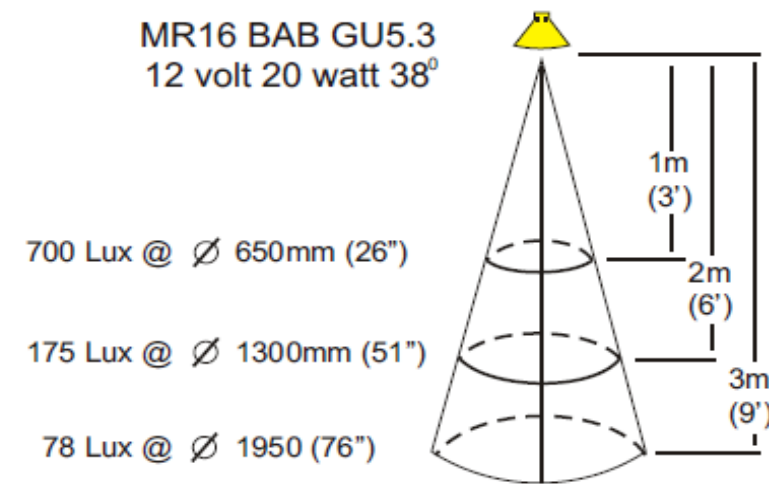
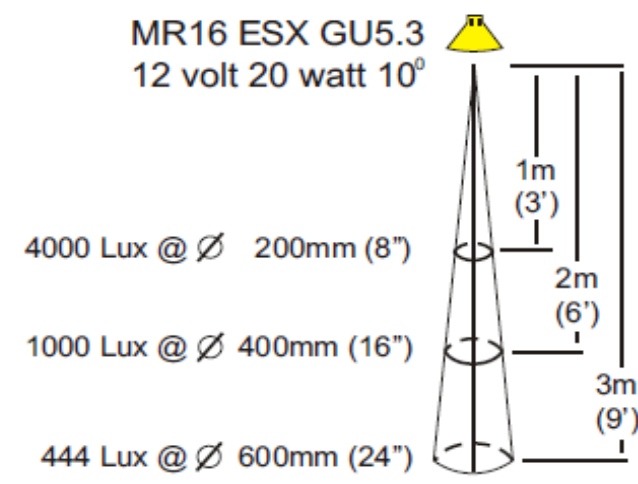
Approved for internal use.

Supplied With

MR16 GU5.3 20 or 35 watt lamp max.

GU10 - GU10 25 or 35 watt lamp max.

Metal Halide - GX10 20 or 35 watt lamp



<p>HUNZA™ PURE OUTDOOR LIGHTING</p>	<p>HUNZA FACTORY 130 Felton Mathew Ave Saint Johns Auckland 1072 New Zealand</p>	<p>Ph: 64-9-528 9471 Fax: 64-9-528 9361 hunza@hunza.co.nz www.hunza.co.nz</p>	<p>INTERNATIONAL CONTACTS: www.hunza.co.nz/contacts.php Specifications may change without notice. Manufactured in New Zealand. © 2014 Hunza Holdings Ltd.</p>
--	--	---	--