

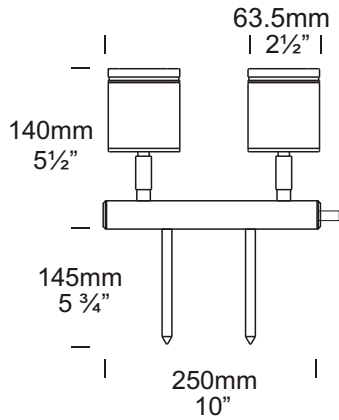
Twin Bar Lite

Cat. No. TBL



The Twin Bar Lite is ideal for wall or sign illumination using 2 x 20 watt lamps with an IG40 transformer. The luminaire has two individual spot lites which can be aimed in two entirely different directions. Each lite has a fully adjustable arm allowing 360 degree rotation and 0 - 90 degree elevation adjustment. The heads are mounted on a 250mm (10") bar with twin ground spikes.

This luminaire is machined from a choice of 10mm thick aluminium with a UV stable powder coated finish, solid copper or 316 stainless steel with a clear, tempered, flush glass lens and high temperature silicon gaskets.



Ordering Information

Luminaire Type	Material/Finish	Accessories
TBL - Twin Bar Lite	BK - Black BZ - Bronze GN - Green STAR - Silver Star COP - Copper SS - 316 Stainless Steel	CJK150 - Cable Joint Kit LENSSTEPF - Frosted Lens GG - Glare Guard HCL - Hex Cell Louvre Adaptor /300 - 300 (12") Spike For an alternative LED option start at page 10.4

Ordering Example: TBL COP - Twin Bar Lite in Copper
 TBL /300 BZ - Twin Bar Lite in Bronze with 300mm (12") Spike
 HCL BK - Hex Cell Louvre Adaptor in Black
 (Accessories ordered separately)



HUNZA™ PURE OUTDOOR LIGHTING

HUNZA FACTORY
 130 Felton Mathew Ave
 Glen Innes
 Auckland 1072
 New Zealand

Ph: 64-9-528 9471
 Fax: 64-9-528 9361
hunza@hunza.co.nz
www.hunza.co.nz

INTERNATIONAL CONTACTS:
www.hunza.co.nz/contacts.php
 Specifications may change without notice.
 Manufactured in New Zealand.
 © 2009 Hunza Holdings Ltd.

Ver 1.4

Luminaire Construction

CNC machined from one of the following metals:

High corrosion resistant 63.5mm (2½") x 10mm (25/64") aluminium. End cap - solid aluminium 63.5mm (2½") rod, with chromate substrate and high UV resistant polyester powder coat

Colours Black, Bronze, Green, Silver Star.

Copper 63.5mm (2½") x 10mm (13/32"). End cap - solid copper 63.5mm (2½") rod.

316 Stainless Steel 9mm (11/32"). End cap - solid 316 stainless steel 63.5mm (2½") rod.

Mounting

Spike 150mm (6") 300mm (12") mounted directly into the ground.

Features

Lens:

10mm (3/8") clear 'flush fit' shatter resistant glass. Life Time Warranty.

Gaskets:

Silicone, iron impregnated 220^oc (428^{of}).

Lamp Holders:

GU5.3 - 350^oc (662^{of}) ceramic multi contact lamp holder with 250^oc (480^{of}) teflon cables.

Accessories:

Cable Joint Kit (Cat. CJK150).

Not approved for USA/Canada.

Frosted Lens (Cat. LENSSTEPF).

Glare Guard (Cat. GG).

Hex Cell Louvre Adaptor (Cat. HCL).

Ground Spike 300mm (12") (Cat. /300).

Swivels:

Aluminium and Copper luminaires 360^o rotation and 0 - 90^o elevation, solid brass with anti rust spring.

Stainless Steel luminaires - 360^o rotation and 0 - 90^o elevation, full stainless steel construction.

Standards

IP66



UL1838

Luminaire Weight
 Alum 1.060 kg (2lb 5oz)
 Cop 2.840 kg (6lb 4oz)
 SS 2.420kg (5lb 5oz)

Power Supply

HUNZA™ Inground or Wall Mount Transformer: not included.

USA and Canada:

HUNZA™ Wall Mount Transformer: not included.

Luminaire: supplied with

MR16 GU5.3 - 2 x 20, 35 or 50 watt lamps max.

LED - Refer sheet no. 10.4

USA and Canada:

MR16 GU5.3 - 2 x 20 watt lamps.

When glare guard fitted lamp wattage can be increased to 35 watt.

LED - Refer sheet no. 10.4

