

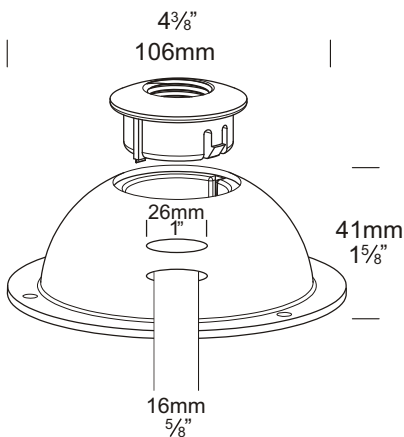
Tree Mount Kit Rubber Strap

Cat. No. SSP/TRS



The Tree Mount Kit Rubber Strap is an optional accessory for mounting the NPS Spot in a tree to create moonlighting effects or illuminate higher structures. A cable connection is made at the rear of the dome. The kit consists of a mounting dome and a one metre adjustable rubber strap, which expands as the tree grows, causing no harm to the tree. The Tree Mount Kit Rubber Strap comes with a female adapter for NPS thread.

For an alternative tree mounting option please refer to the Hunza Tree Mounting Kit (Cat. SSP/T).



Ordering Information

Luminaire Type

SSP/TRS - Tree Mount Kit Rubber Strap

Material

Black Glass-Filled Polypropylene

Accessories

CJK150 - Cable Joint Kit



Tree Mount Kit Rubber Strap with a NPS Spot attached.

Ordering Example: SSP/TRS - Tree Mount Kit Rubber Strap

CJK150 - Cable Joint Kit
(Accessories ordered separately)

HUNZA® PURE
OUTDOOR
LIGHTING

HUNZA FACTORY
130 Felton Mathew Ave
Glen Innes
Auckland 1740
New Zealand

Ph: 64-9-528 9471
Fax: 64-9-528 9361
hunza@hunza.co.nz
www.hunza.co.nz

INTERNATIONAL CONTACTS:
www.hunza.co.nz/contacts.php
Specifications may change without notice.
Manufactured in New Zealand.
© 2009 Hunza Holdings Ltd.

Ver 1.4

Construction

Dome:

Molded from glass-filled polypropylene with snap in ½" NPS female adaptor.

Rubber Strap:

1 x 1 meter (39") rubber strap. Width - 16mm (5/8"). A longer strap is available for larger trees.

Mounting

The Tree Mount dome is secured to the tree with an adjustable rubber strap. The strap is supplied in a one metre length and can be tightened against the tree.

Features

Adaptor:

Female adaptor for NPS thread.

Glass-filled Polypropylene:

Glass-filled Polypropylene, suitable for use with aluminium, copper and 316 stainless steel luminaires.