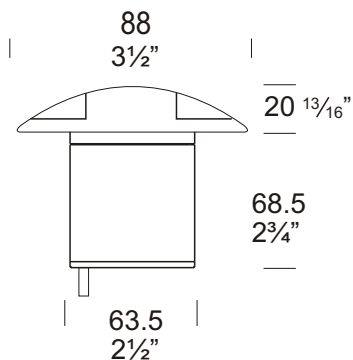


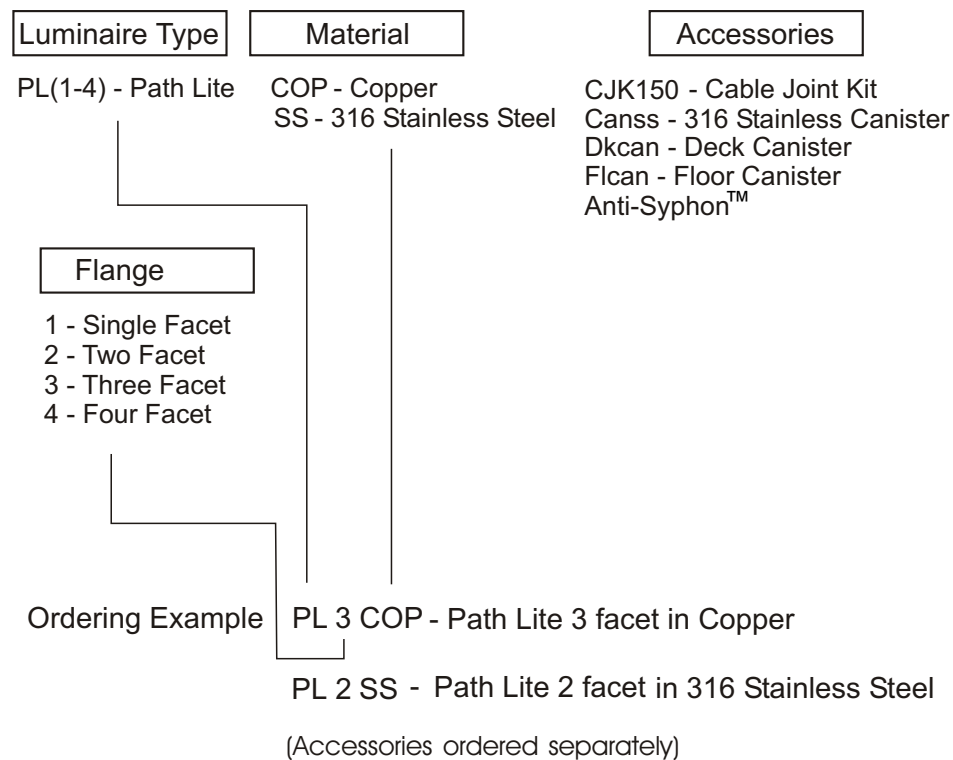
Path Lite

Cat. No. PL



The Path Lite is ideal for lighting flat areas, decks, paved courtyards, edge lighting paths. The new version now comes with a G4 Halogen capsule which is mounted higher allowing for greater projection of horizontal light. This new capsule coupled with a frosted Borosilica dome glass lens significantly reduces glare through 1, 2, 3 or 4 facets. The frosted Borosilica dome glass lens has been developed to prevent dirt, mud, grass clippings or water from entering the optics area, keeping with its IP68 rating. In addition, the glass lens now retains the sealing gasket. The Path Lite 2 facet may be used as a Step Lite in a wall or fence, etc. to shine light up and down.

Ordering Information



Patent Pending



FACTORY: Ph: 64-9-528 9471 Fax: 64-9-528 9361.

USA: Ph: 310 560 7310 Fax: 1 877 692 4589.

Hunza@hunza.co.nz www.hunza.co.nz

Specifications may change without notice.

130 Felton Mathew Ave, Glen Innes, Auckland, New Zealand.

3237 Long Island St, W. Sacramento, California 95691, USA.

Manufactured in New Zealand.

Ver 1.3

© 2009 Hunza Holdings Ltd

Luminaire Construction

CNC machined from one of the following metals:

Copper Body: 63.5mm (2½") x 9mm (13/32"). End cap - solid copper 63.5mm (2½") rod.
Flange 90mm (3½") solid copper rod.

316 Stainless steel Body: 63.5mm (2½") X 9mm (13/32").
End cap - solid 316 stainless steel 63.5mm (2½") rod.
Flange 90mm (3½") solid 316 stainless steel rod.

Mounting

Floor Lite canister (see accessories) can be used for casting into concrete or a Deck Lite canister for mounting into a wooden deck. Two screws holes in the flange can be specified if canisters are not required.

Features

Lens:
3mm (1/8") thick frosted Borosilica glass lens.
Life Time Warranty.

Gaskets:
Silicone, iron impregnated 220°C (428°F).

Lamp Holders:
GU5.3 - 350°C (662°F) ceramic multi contact lamp holder with 250°C (480°F) teflon cables.

Accessories:

Cable Joint Kit (Cat. CJK 50)
Not approved for USA /Canada.

Deck Light Canister (Cat. DKcan).

Floor Canister (Cat. Fcan).

316 Stainless Canister for use in lime stone etc. (Cat. Canss).

Standards

EN60598

IP68



UL1838

Luminaire Weight

12 volt
Cop 1.430kg (3lb 2oz)
SS 1.105kg (2lb 6oz)

Power Supply

HUNZA® Inground or Wall Mount
Transformer: not included.

USA and Canada:

HUNZA® Wall Mount Transformer:
not included.

Luminaire: supplied with

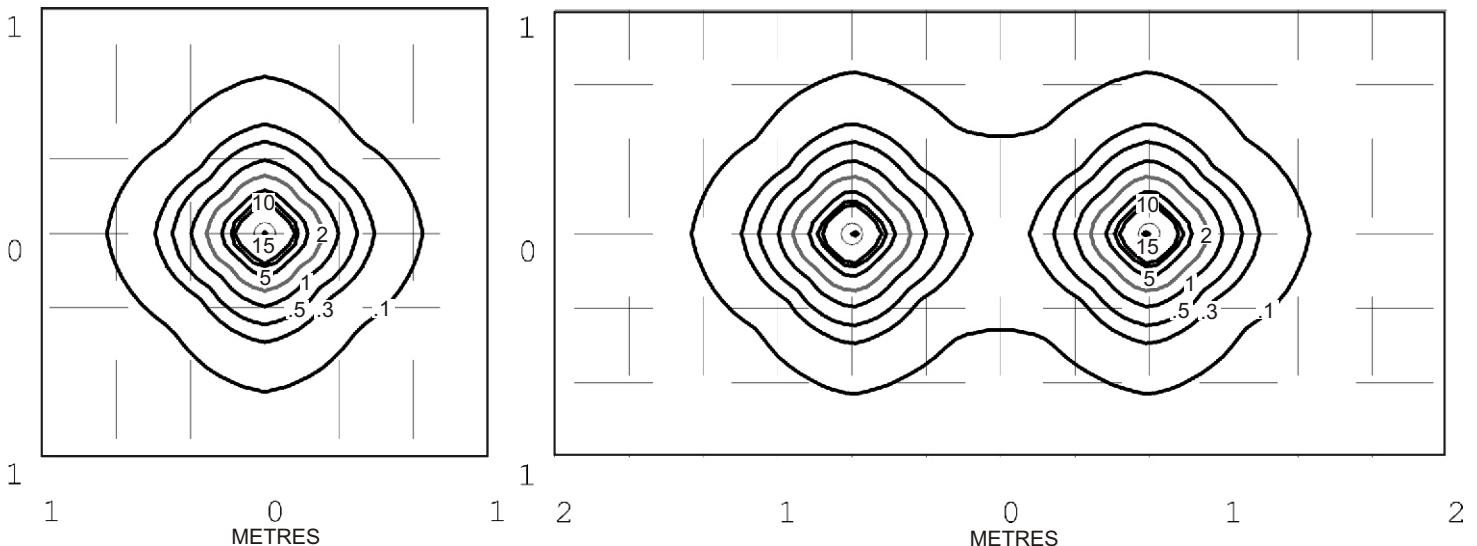
Halogen

G4 20 watt lamp max.

USA and Canada:

G4 20 watt lamp max.

Path Lite 4 facet G4 20 watt lamp - Lens height 5mm (¼")



Isolux Lumens Plot - Footcandles = Isolux figures divided by 10.76



FACTORY: Ph: 64-9-528 9471 F ax: 64-9-528 9361.

USA: Ph. 310 560 7310 F ax. 1 877 692 4589.

hunza@hunza.co.nz www.hunza.co.nz

Specifications may change without notice.

130 Felton Mathew Ave, Glen Innes, Auckland, New Zealand.

3237 Long Island St, W. Sacramento, California 95691, USA.

Manufactured in New Zealand.

© 2009 Hunza Holdings Ltd

Ver 1.3