

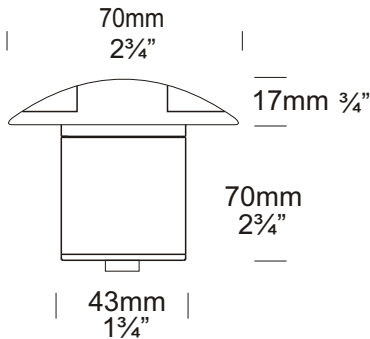
Euro Path Lite

Cat. No. EPL



The Euro Path Lite is designed for use with an MR11 lamp. This luminaire is ideal for lighting flat areas, decks, paved courtyards and edge lighting paths.

The Euro Path Lite has a low profile and directs light horizontally via a stainless steel reflector cone through a frosted glass lens to reduce glare. Available with 1, 2, 3 or 4 facets for light to be projected through. The dirt guard has been developed to prevent dirt, mud and grass clippings from entering the optics area. The Euro Path Lite 2 facet may be used as a Step Lite in a wall or fence, etc. to shine light up and down.



270° Beam



360° Beam

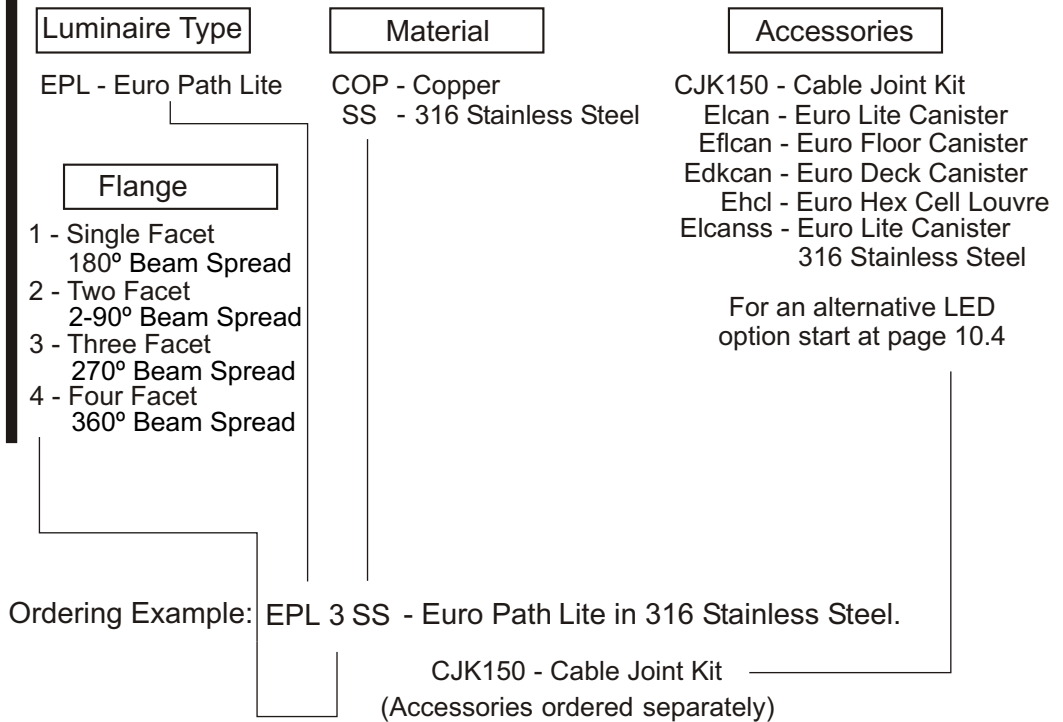


180° Beam



2-90° Beam

Ordering Information



Flange

- 1 - Single Facet
180° Beam Spread
- 2 - Two Facet
2-90° Beam Spread
- 3 - Three Facet
270° Beam Spread
- 4 - Four Facet
360° Beam Spread

HUNZA™ PURE OUTDOOR LIGHTING

HUNZA FACTORY
130 Felton Mathew Ave
Glen Innes
Auckland 1072
New Zealand

Ph: 64-9-528 9471
Fax: 64-9-528 9361
hunza@hunza.co.nz
www.hunza.co.nz

INTERNATIONAL CONTACTS:
www.hunza.co.nz/contacts.php

Specifications may change without notice.
Manufactured in New Zealand.

© 2009 Hunza Holdings Ltd.

Ver 1.4

Luminaire Construction

CNC machined from:

Body:

45mm (1¾") solid Copper rod.

Flange:

70mm (2¾") solid Copper rod.

Body:

45mm (1¾") 316 Stainless Steel rod.

Flange:

70mm (2¾") 316 Stainless Steel rod.

Mounting

Euro Floor Lite canister (see accessories) can be used for casting into concrete or a Euro Deck Lite canister for mounting into a wooden deck. Two screw holes in the flange can be specified if canisters are not required.

Features

Lens:

3mm frosted tempered shatter resistant glass.

Life Time Warranty.

Gaskets:

Silicone, iron impregnated 220°C (428°F).

Lamp Holder:

GU4 - 350°C (662°F) ceramic multi contact lamp holder with 250°C (480°F) teflon cables.

Accessories:

Cable Joint Kit (Cat. CJK150)

Not approved for USA/Canada.

Euro Floor Canister (Cat. Eflcan).

Euro Deck Canister (Cat. Edkcan).

Euro Lite Canister (Cat. Elcan).

Euro Lite Canister 316 Stainless Steel (Cat. Elcanss).

Euro Hex Cell Louvre (Cat. Ehcl).

Standards

IP66



UL1838

Luminaire Weight

Cop .600kg (1lb 5oz)

SS .510kg (1lb 2oz)

Power Supply

HUNZA™ Inground or Wall Mount
Transformer: not included.

USA and Canada:

HUNZA™ Wall Mount Transformer:
not included.

Lamp Type

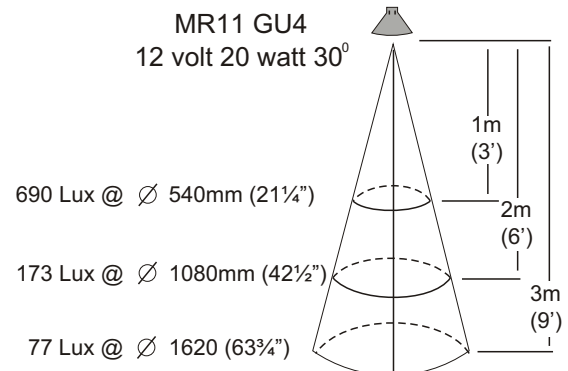
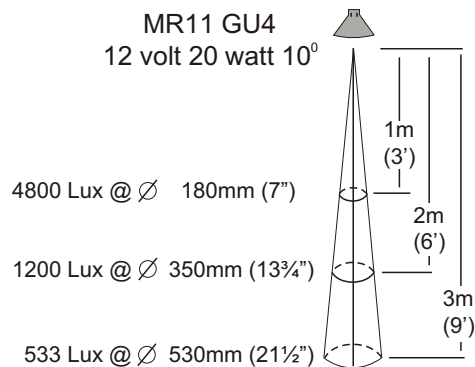
MR11 GU4 20 watt lamp max.

LED - Refer sheet no. 10.4

USA and Canada:

MR11 GU4 10 watt lamp max.

LED - Refer sheet no. 10.4



HUNZA™ PURE
OUTDOOR
LIGHTING

HUNZA FACTORY
130 Felton Mathew Ave
Glen Innes
Auckland 1072
New Zealand

Ph: 64-9-528 9471
Fax: 64-9-528 9361
hunza@hunza.co.nz
www.hunza.co.nz

INTERNATIONAL CONTACTS:
www.hunza.co.nz/contacts.php

Specifications may change without notice.
Manufactured in New Zealand.

© 2009 Hunza Holdings Ltd.

Ver 1.4